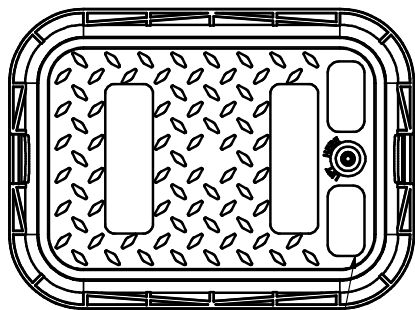
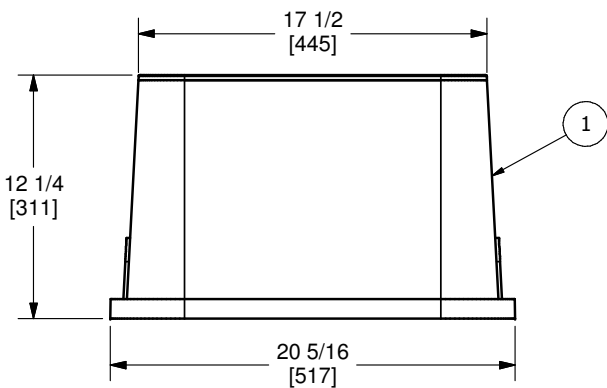


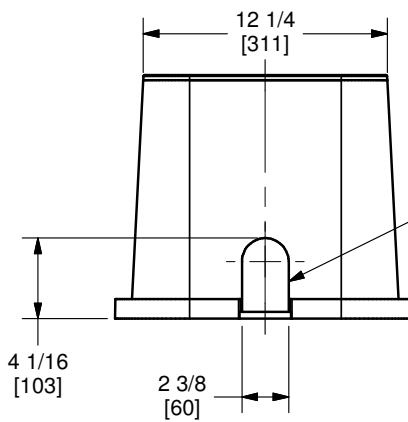
PARTS LIST					
ITEM	CATEGORY	PART NUMBER	DESCRIPTION	QTY	BASE UNIT
1	L	PE1015GSI01	PENCELL BOX	1	Each
2	L	PE1015PLI00	PENCELL COVER	1	Each




2



1



MOUSEHOLE KNOCKOUT
(1 EACH END)

DIMENSIONS ARE IN INCHES OR MILLIMETERS IN BRACKETS UNLESS OTHERWISE NOTED.					
BY	DATE	WEIGHT	 3821 INDUSTRIAL PARK DR LENOIR CITY, TN 37771 800-346-3062 www.quazite.com	LOC	LC S
DRN	JTP	10/24/18		SCALE	
CHK			NTS	DRAWING DESCRIPTION PENCELL® ASSEMBLY	A 10/18
ENG			SIZE		
APR			B		
APR			ESR #	121939	SHEET 1 OF 1
				DRAWING NUMBER PE1015HD000	